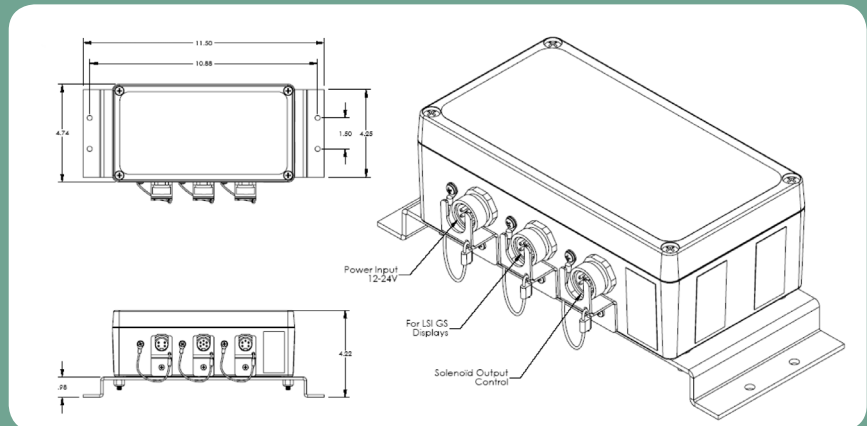
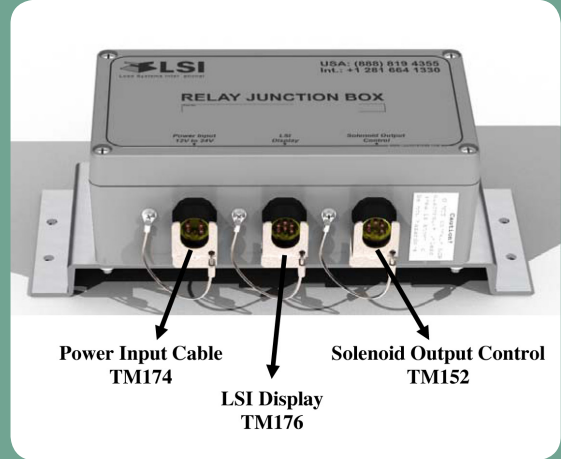


LS089-A RELAY JUNCTION BOX

SIMPLIFY THE CONNECTIVITY OF LSI DISPLAYS



The LS089-A Relay Junction Box is designed to simplify the connectivity of LSI Displays with multiple solenoid valve relay connection outputs.

It is inserted in line between the power source and the display to provide up to 8A of current on each output, to drive solenoid valves or external lights.

- Four solid state relays, each rated 8A
- Input voltage: 10 to 30V
- Class 1, Div 2 certified
- Total maximum current input: 25A
- Short circuit protection (current limit)
- Voltage inversion protection
- Cable inversion protection
- Over temperature shutdown (with auto-restart)
- Active clamp outputs
- Ambient temperature range: -30°F to 140°F (-30°C to 60°C)
- Enclosure: rugged die cast aluminum alloy
- Enclosure dimensions: 8.7in. x 4.7in.
- ESD level 4 protection (IEC-61000-4-2)
- Rated IP60

