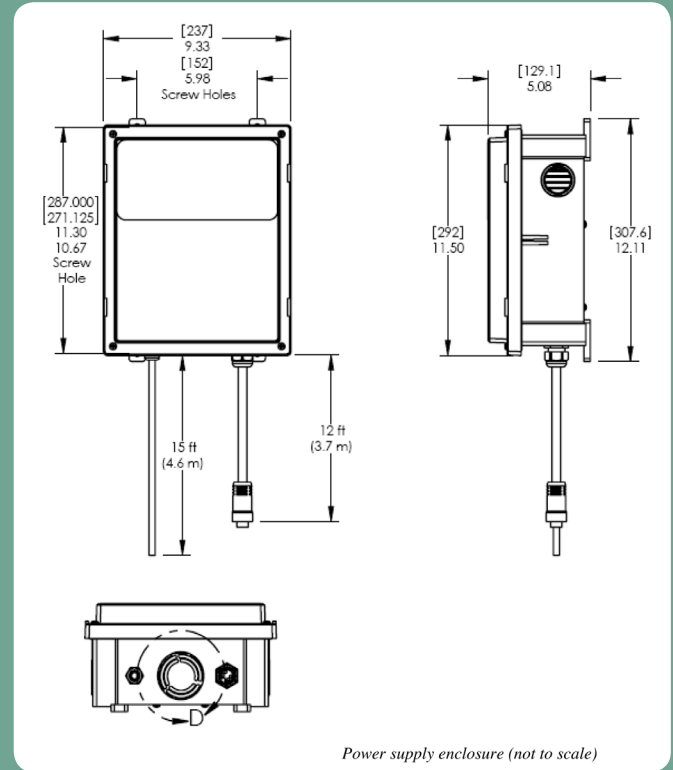


LS088 12Vdc POWER SUPPLY

A CLEAN AND CONSISTENT WAY TO POWER LSI CRANE INSTRUMENTATION



The LS088 Vdc Power Supply is optimized to work with the LSI LS089-A Relay Junction Box.

It creates clean power for LSI crane instrumentation, providing a more consistent flow of electricity.

- Output: 12Vdc, 27 Amperes
- Input: 100 to 240Vac, 50-60Hz
- Power: 300W
- Efficiency: 78% min.
- Overload protection
- Over voltage protection
- Enclosure material: polycarbonate
- Enclosure unaffected by humidity
- Enclosure is UL 508, self-extinguishing
- Optimized to operate with the LSI LS089 Relay Junction Box

