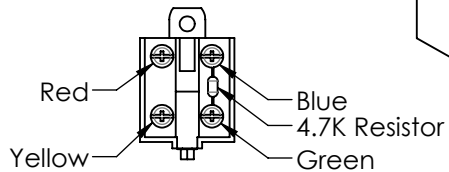
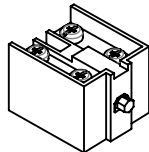


Connection	Utility
Blue and red	Standard fail safe anti-two-block: Closed when safe, open in two-block
Green and yellow	Reverse anti-two-block (not fail safe): Open when safe, closed in two-block
Red and green, 4.7K resistor on blue & green	PAT anti-two-block switch replacement

User replaceable switch
Part number: TS025



Cable range	Diameter: 3/16 to 5/16 in.
Operating temperature	-31 to 185°F
Material	Stainless Steel and Aluminium
Weight	2 lb

PROPRIETARY AND CONFIDENTIAL

THE INFORMATION CONTAINED IN THIS DRAWING IS THE SOLE PROPERTY OF LOAD SYSTEMS INTERNATIONAL. ANY REPRODUCTION IN PART OR AS A WHOLE WITHOUT THE WRITTEN PERMISSION OF LOAD SYSTEMS INTERNATIONAL IS PROHIBITED.

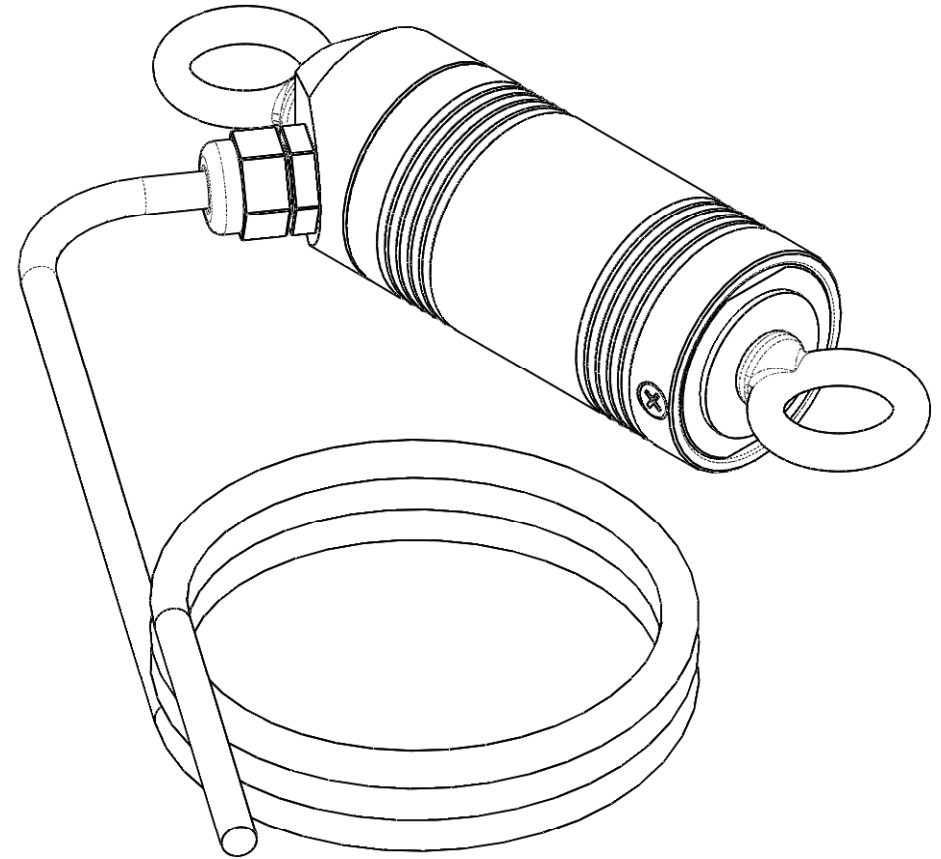
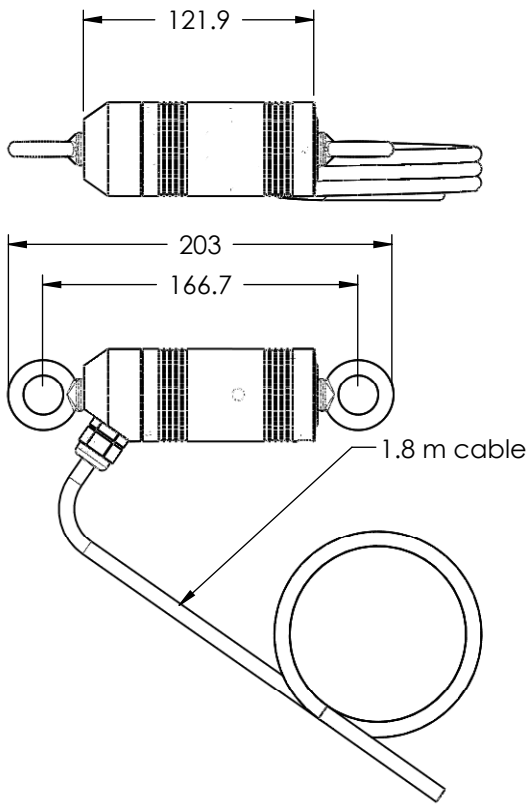


www.loadsystems.com

PART NO:	LS051	DWG NO:	DS-LS051	REV:	0
----------	-------	---------	----------	------	---

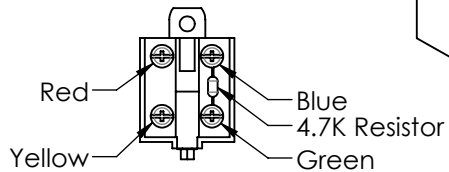
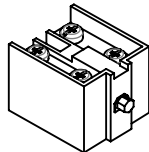
DESCRIPTION:
Mechanical A2B Switch

All dimensions are expressed in inches
The information in this document is subject to change without notice



Connection	Utility
Blue and red	Standard fail safe anti-two-block: Closed when safe, open in two-block
Green and yellow	Reverse anti-two-block (not fail safe): Open when safe, closed in two-block
Red and green, 4.7K resistor on blue & green	PAT anti-two-block switch replacement

User replaceable switch
Part number: TS025



Cable range	Diameter: 4.8 mm to 7.9 mm
Operating temperature	-35 to 85°C
Material	Stainless Steel and Aluminium
Weight	0.9 kg

PROPRIETARY AND CONFIDENTIAL

THE INFORMATION CONTAINED IN THIS DRAWING IS THE SOLE PROPERTY OF LOAD SYSTEMS INTERNATIONAL. ANY REPRODUCTION IN PART OR AS A WHOLE WITHOUT THE WRITTEN PERMISSION OF LOAD SYSTEMS INTERNATIONAL IS PROHIBITED.



Load Systems International

www.loadsystems.com

PART NO:	LS051	DWG NO:	DS-LS051	REV:	0
----------	-------	---------	----------	------	---

DESCRIPTION:
Mechanical A2B Switch

All dimensions are expressed in mm
The information in this document is subject to change without notice