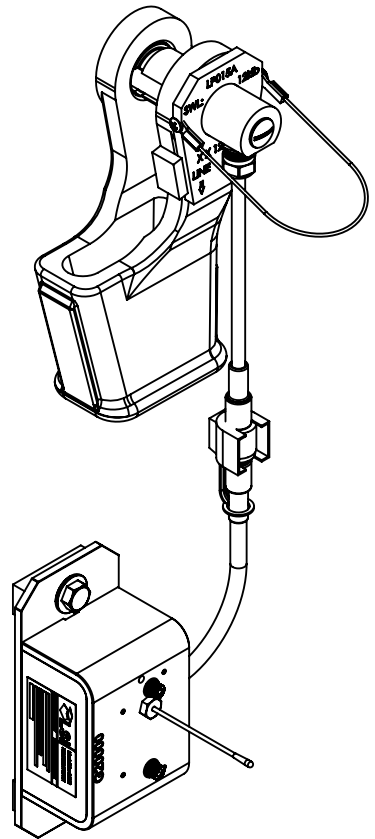
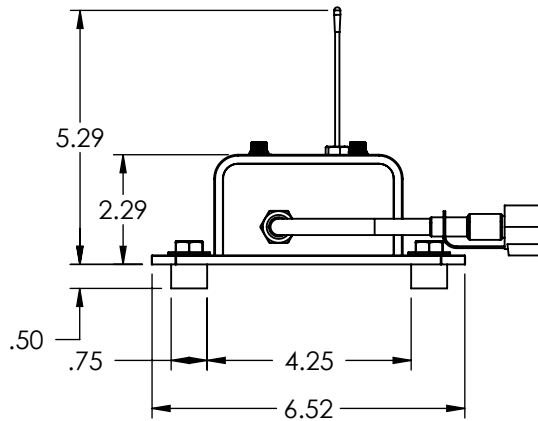
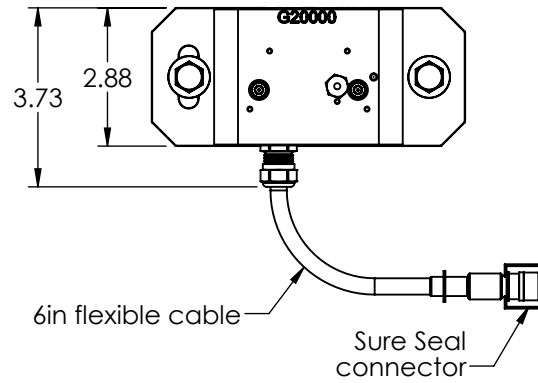


LP015A Shown

Dimension	LP011A	LP015A	LP026	LP028A	LP058
A	3.78	4.22	4.48	4.58	4.82
B	2.43	2.82	3.18	3.33	3.72
C	1.98	2.32	2.66	2.83	3.25
D	0.997	1.190	1.250	1.380	1.625

GS001 transmitter (sold separately)



Part Number	Compatibility	Capacity
LP011A	Crosby bucket 1/2 in. rope	10,000 lb
LP015A	Crosby bucket 9/16 in. rope	12,000 lb
LP026	Gunnebo Johnson bucket WS-5	12,000 lb
LP028A	Crosby bucket 3/4 in. rope	18,000 lb
LP058	Crosby bucket 7/8 in. rope	23,000 lb
Radio	Compatible with the GS001 & LS001A transmitter (not included)	
Operating temperature	-31 to 185°F	
Material	Stainless Steel	
Weight	12.336 lb	

PROPRIETARY AND CONFIDENTIAL

THE INFORMATION CONTAINED IN THIS DRAWING IS THE SOLE PROPERTY OF LOAD SYSTEMS INTERNATIONAL. ANY REPRODUCTION IN PART OR AS A WHOLE WITHOUT THE WRITTEN PERMISSION OF LOAD SYSTEMS INTERNATIONAL IS PROHIBITED.



Load Systems International

www.loadsystems.com

PART NO: LPOXX DWG NO: DS-LPOXX REV: 3

DESCRIPTION: Load Pin For Wedge Sockets

All dimensions are in inches
Load pin design is specific to the bucket used
The information in this document is subject to change without notice