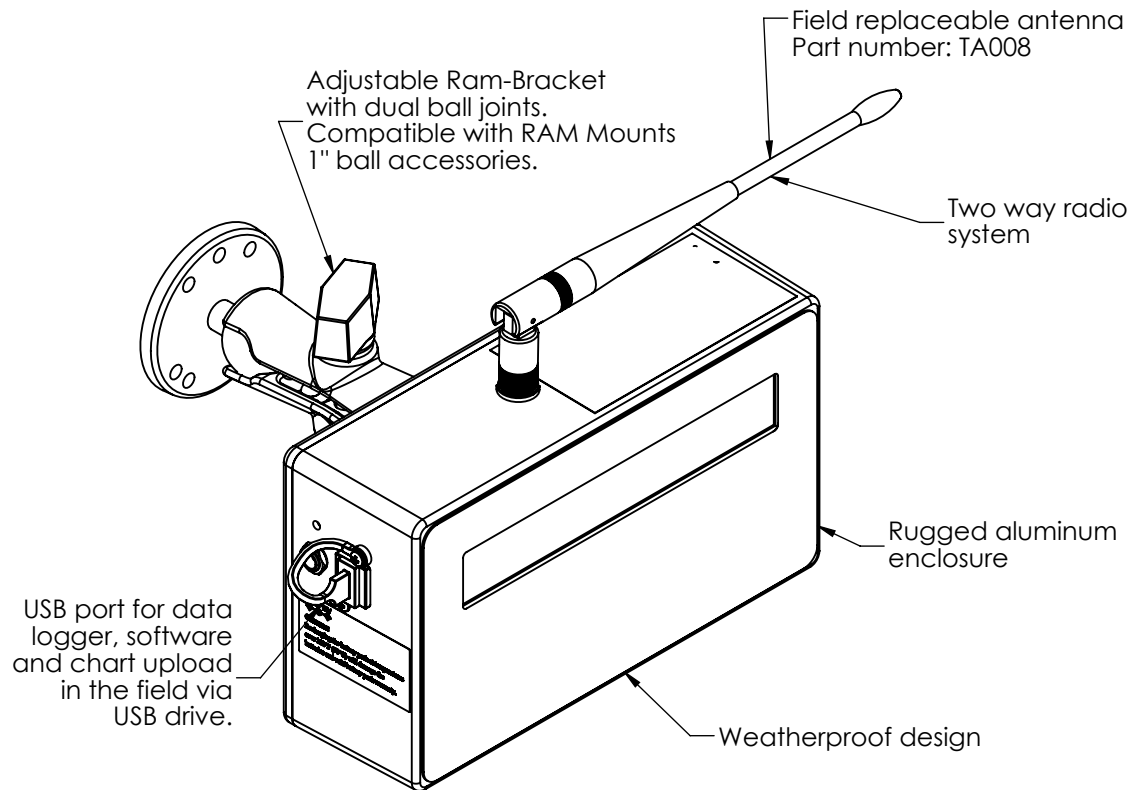


Fits #10 UNC screws

Ram Bracket Footprint.
Only 2 screws are necessary.

All dimensions are in inches
The information in this document is subject to change without notice

** Display configuration:
LCD backlight off
Led illumination minimum plus two steps
73.4°F and 50% relative humidity environment
One sensor communicating
Two led illuminated continually
Standard GS550 firmware



Weight Units	Pounds, short tons, long tons, kilograms, metric tons
Battery	6V, 3800mAh, NiMH rechargeable (not prone to memory effect)
Battery Life	Up to 40 hours of use**
Recharge Time	4.5 hours or less (recharge stops automatically when battery is full)
Display	2 lines 20 characters LCD with adjustable contrast and night vision backlight
Data Logger Memory	More than 16,000 time stamped events
Operating temperature	-29 to 122°F
Charging temperature	32 to 104°F
Radio Frequency Band	900 MHz standard - European Community's 868 MHz as an option
Radio Power	15 dBm
Weight	3 lb

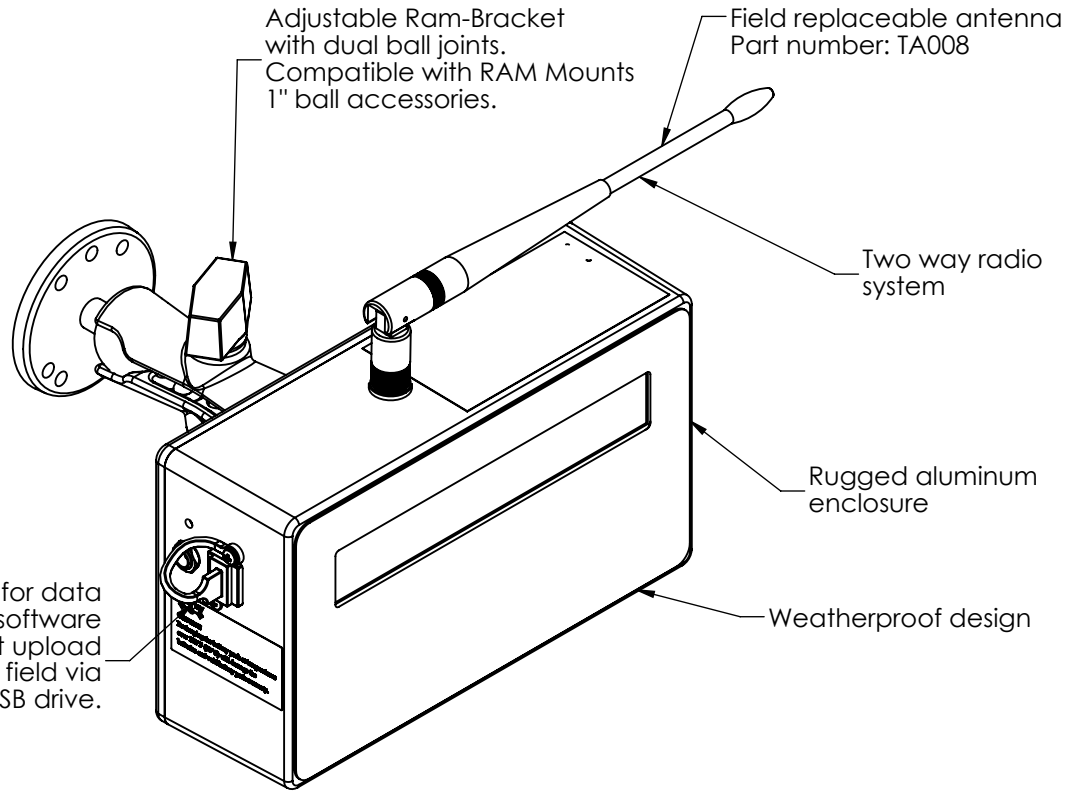
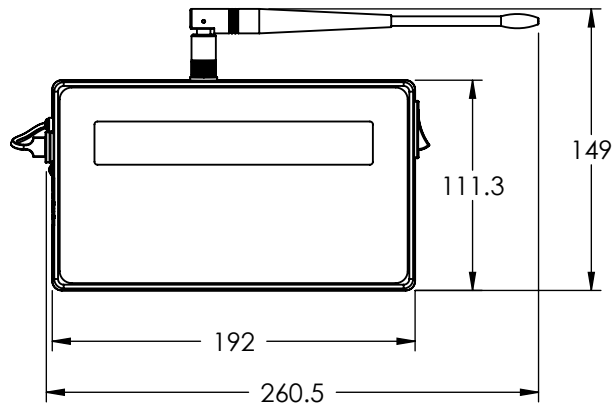
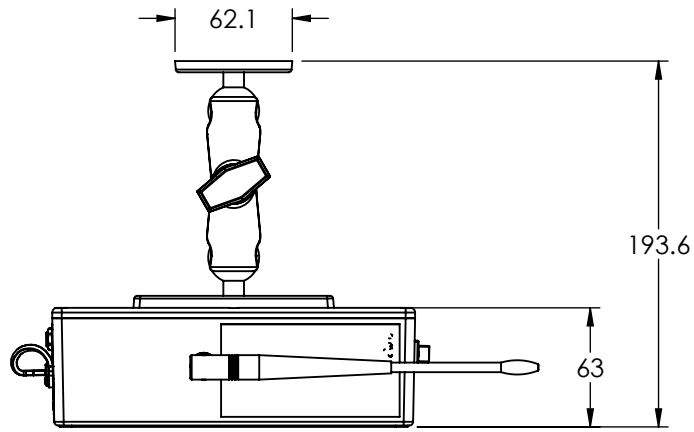
PROPRIETARY AND CONFIDENTIAL

THE INFORMATION CONTAINED IN THIS DRAWING IS THE SOLE PROPERTY OF LOAD SYSTEMS INTERNATIONAL. ANY REPRODUCTION IN PART OR AS A WHOLE WITHOUT THE WRITTEN PERMISSION OF LOAD SYSTEMS INTERNATIONAL IS PROHIBITED.

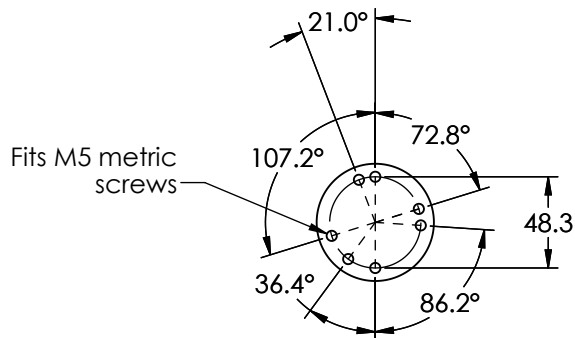


PART NO: **GS550-03** DWG NO: **DS-GS550-03** REV: **6**

DESCRIPTION: **Portable Wireless Display**



USB port for data logger, software and chart upload in the field via USB drive.



Ram Bracket Footprint. Only 2 screws are necessary.

Weight Units	Pounds, short tons, long tons, kilograms, metric tons
Battery	6V, 3800mAh, NiMH rechargeable (not prone to memory effect)
Battery Life	Up to 40 hours of use**
Recharge Time	4.5 hours or less (recharge stops automatically when battery is full)
Display	2 lines 20 characters LCD with adjustable contrast and night vision backlight
Data Logger Memory	More than 16,000 time stamped events
Operating temperature	-20 to +50°C
Charging temperature	0 to +40°C
Radio Frequency Band	900 MHz standard - European Community's 868 MHz as an option
Radio Power	15 dBm
Weight	1.4 kg

All dimensions are in mm
The information in this document is subject to change without notice

** Display configuration:
LCD backlight off
Led illumination minimum plus two steps
23°C and 50% relative humidity environment
One sensor communicating
Two led illuminated continually
Standard GS550 firmware

PROPRIETARY AND CONFIDENTIAL

THE INFORMATION CONTAINED IN THIS DRAWING IS THE SOLE PROPERTY OF LOAD SYSTEMS INTERNATIONAL. ANY REPRODUCTION IN PART OR AS A WHOLE WITHOUT THE WRITTEN PERMISSION OF LOAD SYSTEMS INTERNATIONAL IS PROHIBITED.



PART NO: **GS550-03** DWG NO: **DS-GS550-03** REV: **6**

DESCRIPTION: **Portable Wireless Display**