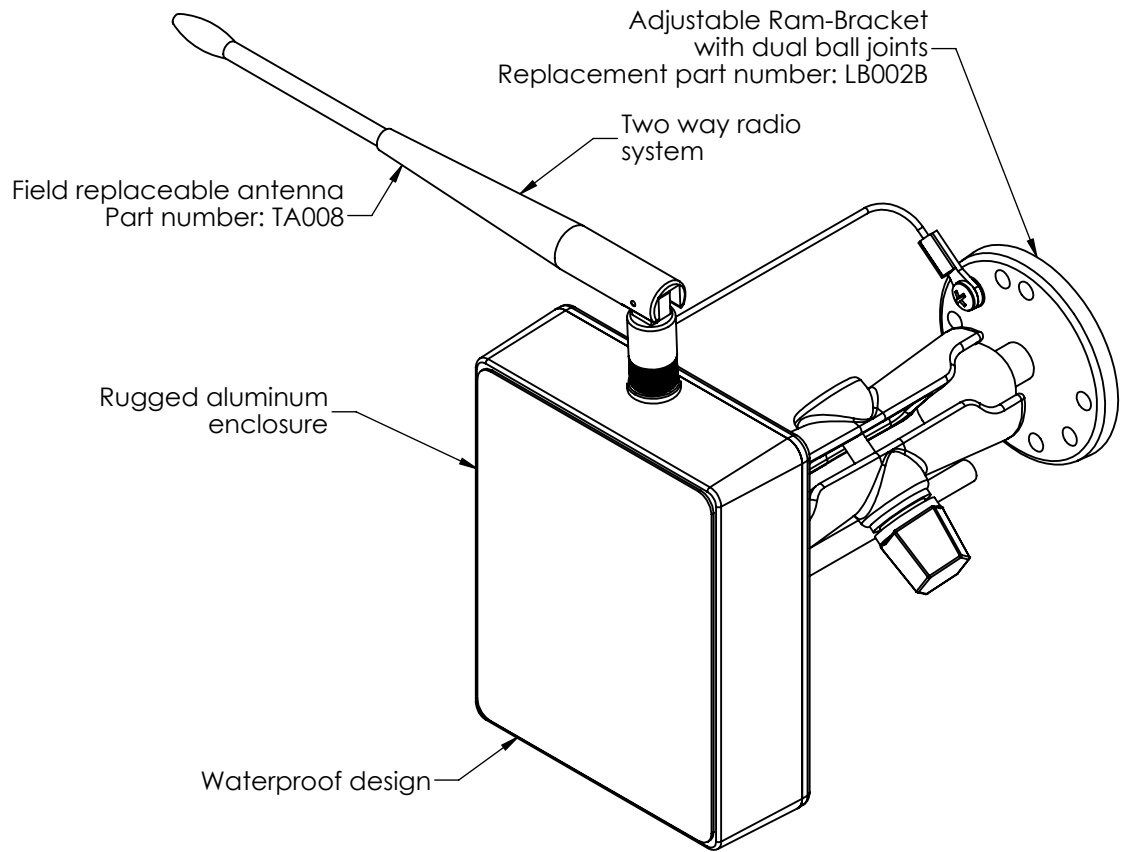


Ram Bracket Footprint.  
Only 2 screws are necessary.

All dimensions are in inches  
The information in this document is subject to change without notice



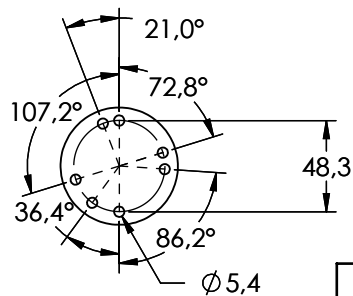
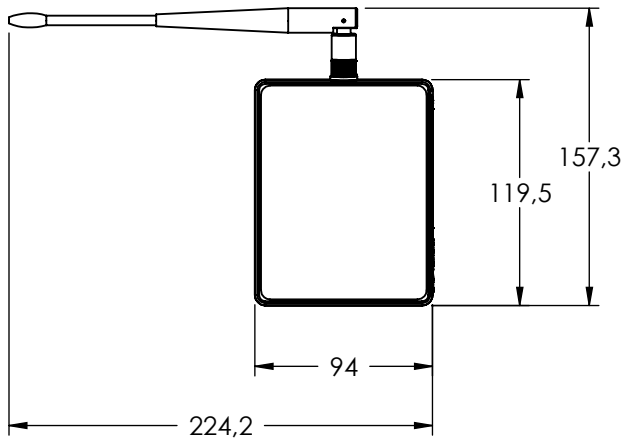
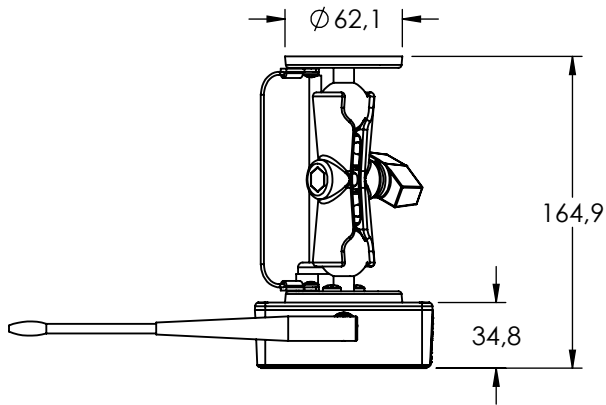
Power supply required	10 to 30 VDC, 1A; plus 1A for the lockout relay when connected
Power supply cable	6 ft length
Output	One mosfet relay, 1A
Operating temperature	-40 to 185 °F
Radio Frequency Band	900 MHz
Radio Power	15 dBm
Weight	1 lb

**PROPRIETARY AND CONFIDENTIAL**

THE INFORMATION CONTAINED IN THIS DRAWING IS THE SOLE PROPERTY OF LOAD SYSTEMS INTERNATIONAL. ANY REPRODUCTION IN PART OR AS A WHOLE WITHOUT THE WRITTEN PERMISSION OF LOAD SYSTEMS INTERNATIONAL IS PROHIBITED.



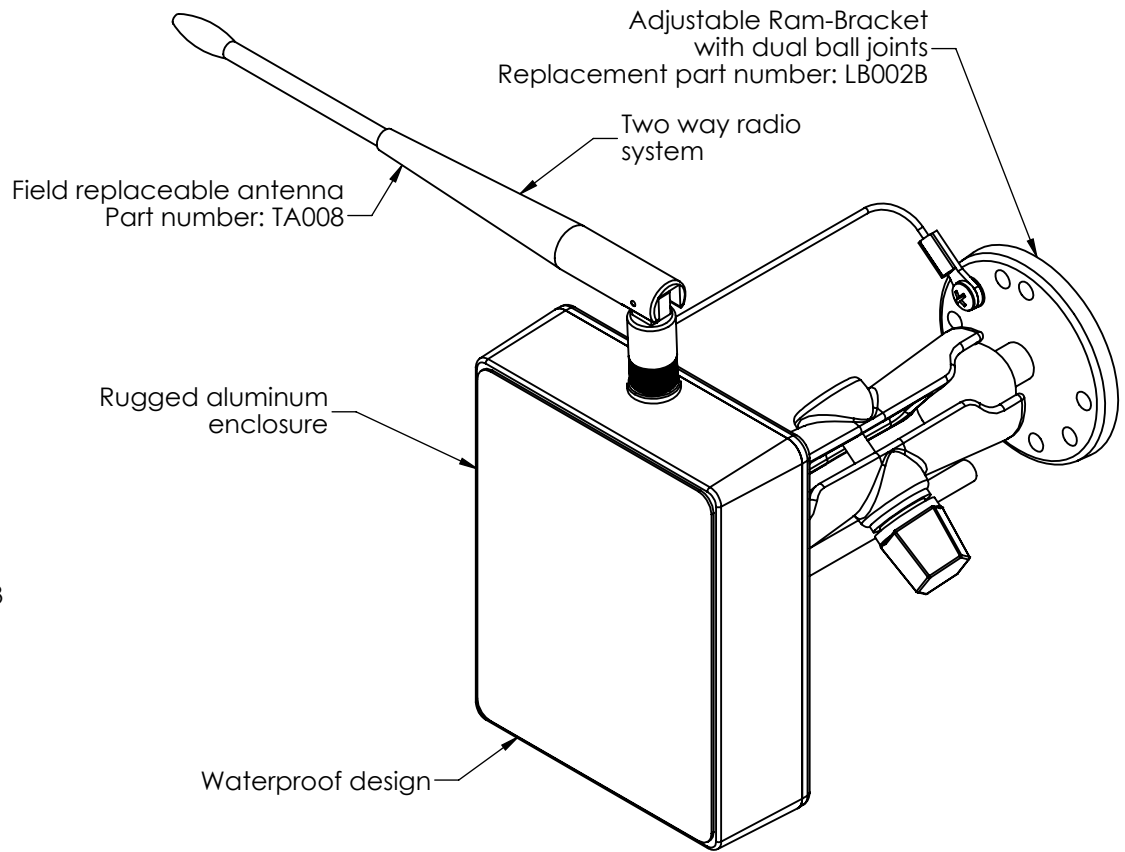
PART NO:	GS375	DWG NO:	DS-GS375	REV:	
DESCRIPTION:	Wireless Anti-Two-Block Display				



Ram Bracket Footprint.  
Only 2 screws are necessary.

All dimensions are in mm

The information in this document is subject to change without notice



Power supply required	10 to 30 VDC, 1A; plus 1A for the lockout relay when connected
Power supply cable	1.8 m length
Output	One mosfet relay, 1A
Operating temperature	-40 to 85°C
Radio Frequency Band	900 MHz
Radio Power	15 dBm
Weight	0.5 kg

**PROPRIETARY AND CONFIDENTIAL**

THE INFORMATION CONTAINED IN THIS DRAWING IS THE SOLE PROPERTY OF LOAD SYSTEMS INTERNATIONAL. ANY REPRODUCTION IN PART OR AS A WHOLE WITHOUT THE WRITTEN PERMISSION OF LOAD SYSTEMS INTERNATIONAL IS PROHIBITED.



PART NO:	GS375	DWG NO:	DS-GS375	REV:	
DESCRIPTION:	Wireless Anti-Two-Block Display				