

Capacity	75,000 lb
Operating temperature	-35 to +85°C (-31 to 185 °F)
Material	Stainless Steel
Weight	3 lb

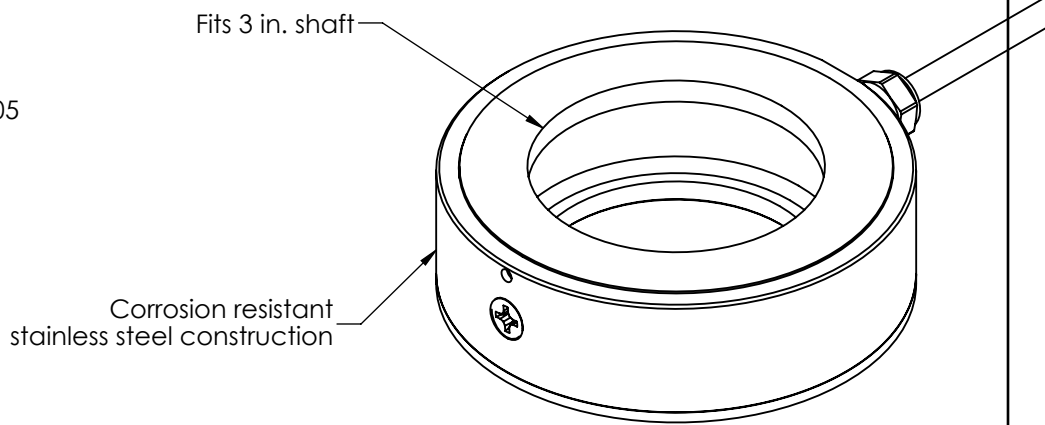
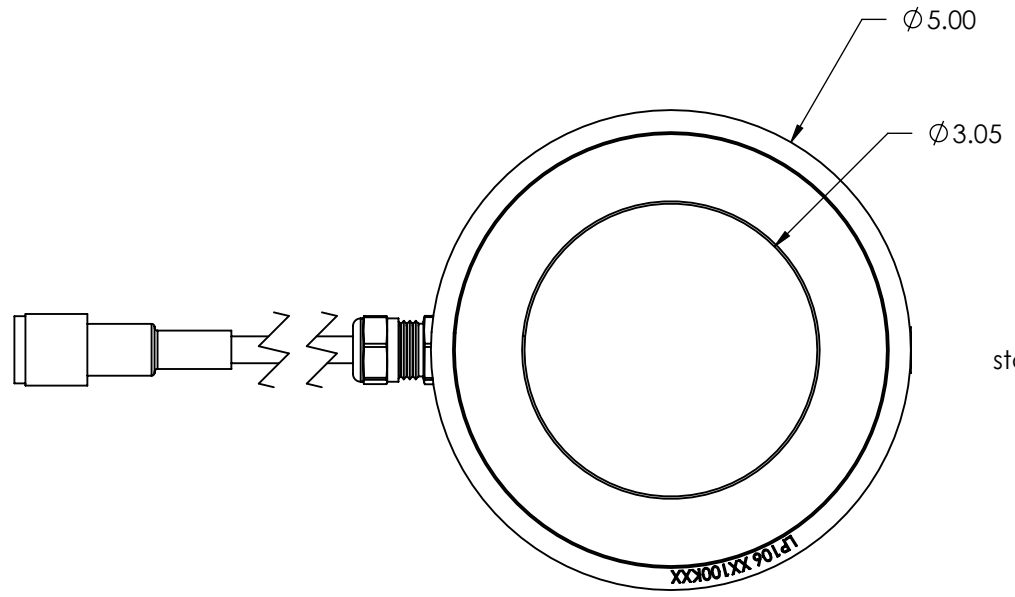
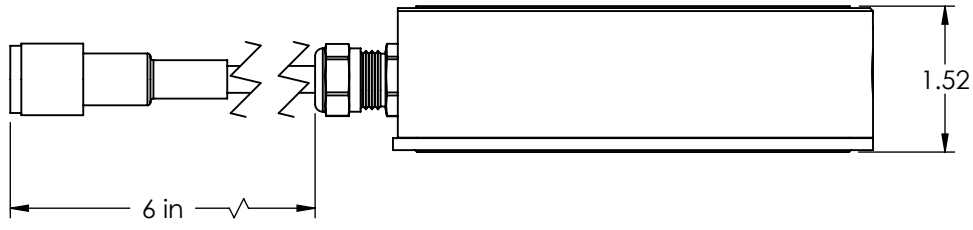
**PROPRIETARY AND CONFIDENTIAL**  
 THE INFORMATION CONTAINED IN THIS DRAWING IS THE SOLE PROPERTY OF LOAD SYSTEMS INTERNATIONAL. ANY REPRODUCTION IN PART OR AS A WHOLE WITHOUT THE WRITTEN PERMISSION OF LOAD SYSTEMS INTERNATIONAL IS PROHIBITED.



PART NO: LP105    DWG NO: DS-LP105    REV: 2

DESCRIPTION: Compression Load Cell  
 75,000 lb Working Load Limit

All dimensions are in inches  
 The information in this document is subject to change without notice



Capacity	100,000 lb
Operating temperature	-35 to +85°C (-31 to 185 °F)
Material	Stainless Steel
Weight	4.2 lb

**PROPRIETARY AND CONFIDENTIAL**  
 THE INFORMATION CONTAINED IN THIS DRAWING IS THE SOLE PROPERTY OF LOAD SYSTEMS INTERNATIONAL. ANY REPRODUCTION IN PART OR AS A WHOLE WITHOUT THE WRITTEN PERMISSION OF LOAD SYSTEMS INTERNATIONAL IS PROHIBITED.



PART NO: LP106 DWG NO: DS-LP106 REV: 2

DESCRIPTION:  
**Compression Load Cell  
 100,000 lb Working Load Limit**

All dimensions are in inches  
 The information in this document is subject to change without notice