

Weld pads footprint

	Model: GS101	Model: GS106
Wire rope extension	100 ft.	140 ft.
Wire rope length	125 ft.	190 ft.
Length resolution	0.1 ft.	0.15 ft.
Length repeatability	0.2 ft.	0.3 ft.
Length accuracy	+/- 0.3 ft.	+/- 0.4 ft.
Angle range	-90° to 130°, 0° being horizontal	
Angle resolution	+/-0.1°	
Angle repeatability	+/-0.2°	
Angle accuracy	+/-0.5° max. (typical +/- 0.2°)	
Battery	1 "D-Cell" Lithium, or alkaline	
Estimated Battery Life*	Lithium: 2 years, Alkaline: 8 months	
Operating temperature	-31 to 185 °F	-4 to 185 °F
Radio Frequency Band	900 MHz standard - European Community's 868 MHz as an option	
Radio Power	15 dBm	
Material	Stainless Steel	
Weight	46 lb	50 lb

All dimensions are in inches
The information in this document is subject to change without notice

*Battery life estimated for standard product only, using factory specified batteries correctly installed, operating for 32 hours per week. Individual results may vary with intensity of use, environmental conditions and other factors.

PROPRIETARY AND CONFIDENTIAL

THE INFORMATION CONTAINED IN THIS DRAWING IS THE SOLE PROPERTY OF LOAD SYSTEMS INTERNATIONAL. ANY REPRODUCTION IN PART OR AS A WHOLE WITHOUT THE WRITTEN PERMISSION OF LOAD SYSTEMS INTERNATIONAL IS PROHIBITED.

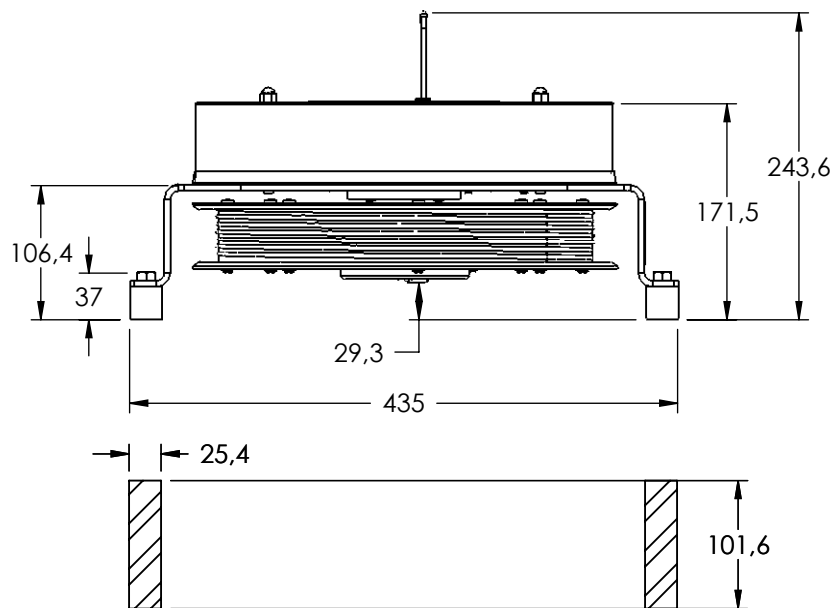
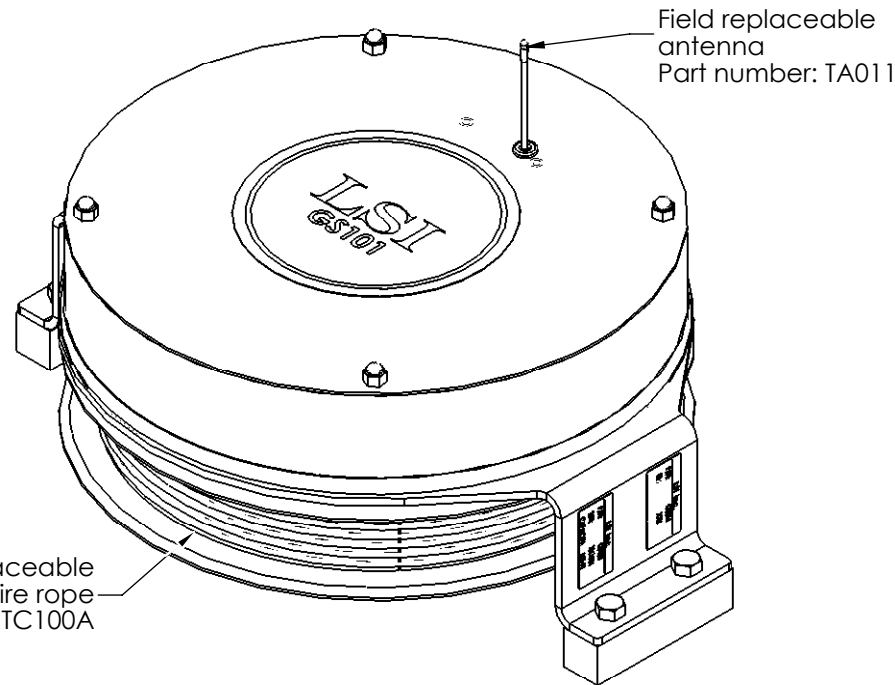
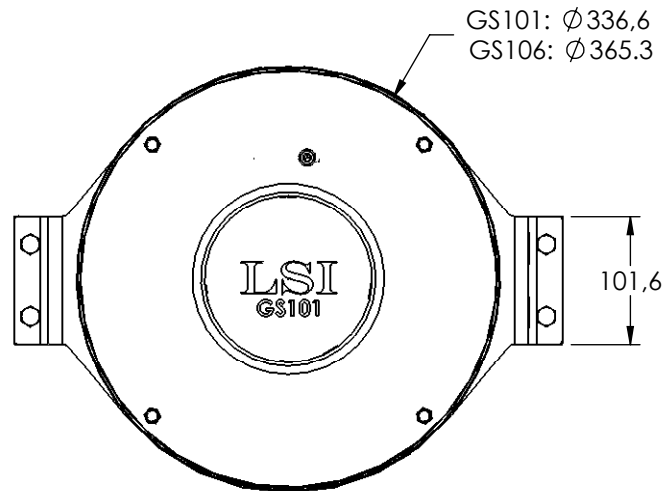


PART NO: GS101/GS106

DWG NO: DS-GS10X

REV: 5

DESCRIPTION:
Cable Reels Kits with Wireless Angle and Length Sensors



Weld pads footprint

	Model: GS101	Model: GS106
Wire rope extension	30.5 m	42.7 m
Wire rope length	38.1 m	57.9 m
Length resolution	0.03 m	0.05 m
Length repeatability	0.06 m	0.09 m
Length accuracy	+/- 0.09 m	+/- 0.12 m
Angle range	-90° to 130°, 0° being horizontal	
Angle resolution	+/-0.1°	
Angle repeatability	+/-0.2°	
Angle accuracy	+/-0.5° max. (typical +/- 0.2°)	
Battery	1 "D-Cell" Lithium, or alkaline	
Estimated Battery Life*	Lithium: 2 years, Alkaline: 8 months	
Operating temperature	-40 to 85 °C	-20 to 85 °C
Radio Frequency Band	900 MHz standard - European Community's 868 MHz as an option	
Radio Power	15 dBm	
Material	Stainless Steel	
Weight	21 kg	23 kg

All dimensions are in mm
The information in this document is subject to change without notice

*Battery life estimated for standard product only, using factory specified batteries correctly installed, operating for 32 hours per week. Individual results may vary with intensity of use, environmental conditions and other factors.

PROPRIETARY AND CONFIDENTIAL

THE INFORMATION CONTAINED IN THIS DRAWING IS THE SOLE PROPERTY OF LOAD SYSTEMS INTERNATIONAL. ANY REPRODUCTION IN PART OR AS A WHOLE WITHOUT THE WRITTEN PERMISSION OF LOAD SYSTEMS INTERNATIONAL IS PROHIBITED.



Load Systems International

www.loadsystems.com

PART NO:
GS101/GS106

DWG NO: DS-GS10X REV: 5

DESCRIPTION:
Cable Reels Kits with Wireless Angle and Length Sensors